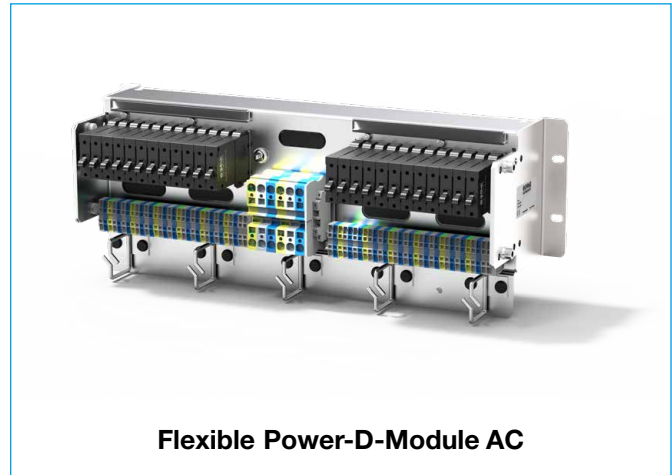


**Description**

The flexible **Power-D-Module AC** with printed circuit board is a compact power distribution system, designed as a rack made of profiled aluminium sheet for direct mounting, e.g. on the rear wall of a control cabinet. By rotating the snap-on fixtures, the module can also be mounted in a 19" rack. On a base design height of 3 HE the 2210 or 3600 thermal-magnetic circuit breakers can be plugged into the terminal block. 24 single pole or 12 double pole channels are available as a redundant or non-redundant system. The integral group signalling works optionally as series connection of the make contacts or parallel connection of the break contacts. The entire internal circuitry is designed as a printed circuit board. The unprotected pole is also being patched in the distribution. The connection is made at the front via terminals. A 1 HE high patching unit with guiding holes helps manage the horizontal cable arrangement, omitting an additional cable conduct.



**Flexible Power-D-Module AC**

**Features**

- Compact 19" rack with 3 HE
- Integral wiring by means of PCB
- For 24 pluggable 2210 1pole circuit breakers
- For 12 pluggable 2210 2pole circuit breakers
- Redundant or non-redundant set-up
- Supply current up to 2 x 50 A
- AC 230 V rated voltage
- Max. load current up to 16 A
- Connection via spring loaded terminals
- Group signalling (also without signal loops)
- Optional cable management
- Optional plastic covers

**Your benefits**

- Compact, space-saving, clear design through PCB
- No "internal" wiring required
- Time-saving connection via spring-loaded terminals
- Increased machine uptime through resettable circuit breakers
- Flexibility through pluggable circuit breakers
- Powerful performance for total currents up to 50 A
- Wide range input from AC 10 to AC 230 V
- Increased operational availability through group signalling
- Significantly reduced number of individual components through pre-assembly

**Preferred types – for details regarding all product versions please see ordering number code**

Preferred types are E-T-A products that are most frequently used by our customers. They feature a beneficial price and shorter lead times.

Preferred types	Short description
PDM-AC-2210-24E-B2-K	1-pole protected, non-redundant, with cable organizer
PDM-AC-2210-24R-B2-K	1-pole protected, redundant, with cable organizer
PDM-AC-2210-2P-24E-B2-K	2-pole protected, non-redundant, with cable organizer
PDM-AC-2210-2P-24R-B2-K	2-pole protected, redundant, with cable organizer

**Compliance**



**Instructions**

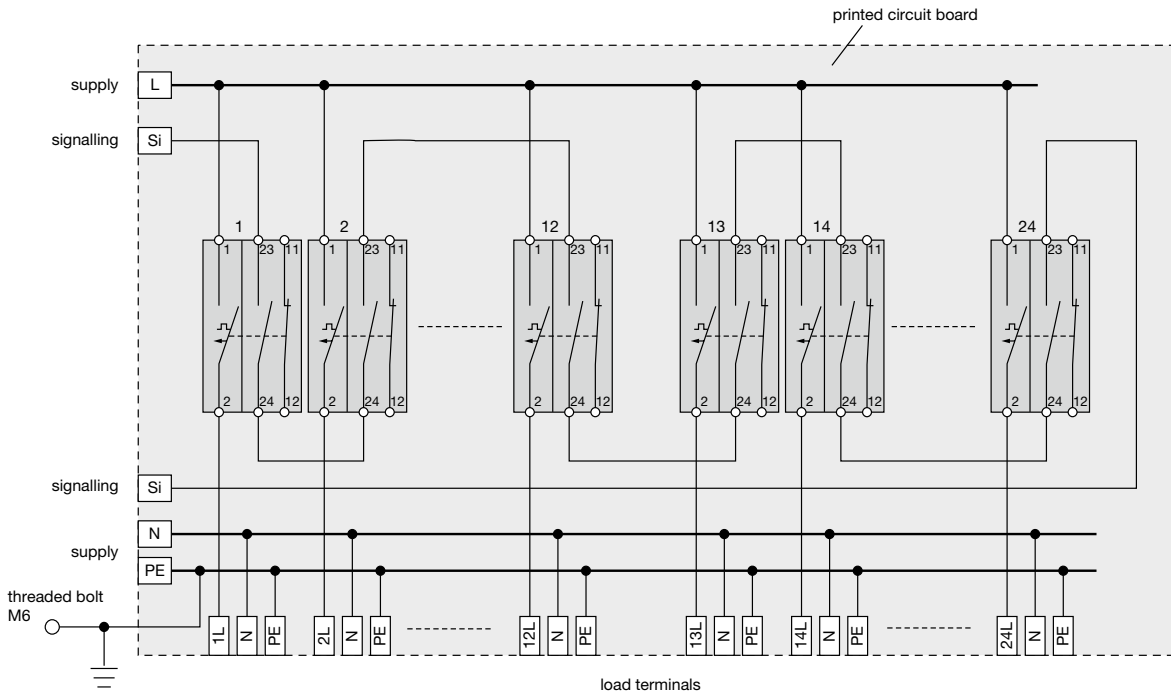
You will find the current installation instructions for each possible version via QR code on the last page.

Technical data	
<b>General data</b>	
Rated voltage	AC 230 V
Protected pole	1-pole L 2-pole L and N
Plug-in type circuit breakers	2210-S (1 & 2-pole)
Redundancy	Optional according to ordering number code
Compliance	According to EN 62368-1
Ambient Temperature range	0 ... 50 °C
<b>Mechanical data</b>	
Dimensions	Width: 84 HP (426.72 mm) Height: 3 HE (133.35 mm) / 4 HE (177.90 mm) incl. cable organizers Depth: 152 mm
Material	Aluminium
Grounded housing	Available for each supply input
Cable organizer (1 HE)	Optional, pre-mounted
Total weight	3,07 kg - 3,76 kg
<b>Supply</b>	
Total current per supply	max. 50 A
Terminals / cable cross section	Spring-loaded terminals / up to 10 mm <sup>2</sup>
<b>Loads</b>	
Load current per channel	max. 16 A
Terminals / cable cross section	Spring-loaded terminals / up to 2.5 mm <sup>2</sup>
<b>Group signalling</b>	
Series connection	Make contacts of the auxiliary contacts are connected in series
Parallel connection	Break contacts of the auxiliary contacts are connected in parallel via decoupling relay Max. 0.5 A, max. 2.5 mm <sup>2</sup>

Ordering number code	
<b>PDM Power Distribution Module</b>	
<b>AC</b>	AC 230 V
<b>2210</b>	Thermal-magnetic 2210 circuit breaker, single pole protected
<b>2210-2P</b>	Thermal-magnetic 2210 circuit breaker, double pole protected
<b>24E</b>	non-redundant, 1 x 24 channels 1pole / 1 x 12 channels 2pole protected
<b>24R</b>	redundant, 2 x 12 channels 1-pole / 2 x 6 channels 2-pole protected
<b>B1</b>	Group signalling series connection without relay
<b>B2</b>	Group signalling, parallel connection via relay (only AC 230 V)
<b>K</b>	with cable organizer (1 HE)
<b>PDM-AC-2210-2P-24E-B2-K</b>	Ordering example

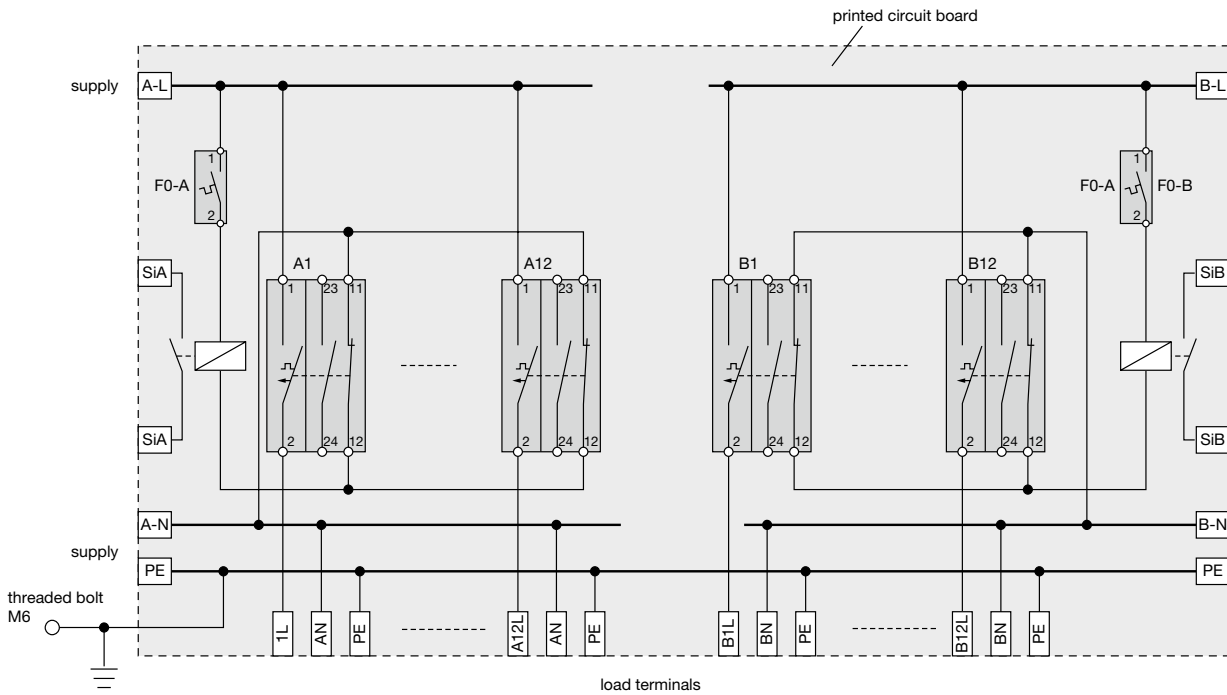
Schematic diagrams

Power-Distribution-Modul AC schematic diagram (2210, non-redundant)



Note: Depending on the version, the schematic diagram may vary in detail. This diagram shows the general options. You can find further information for version-specific installation instructions at the end of the document.

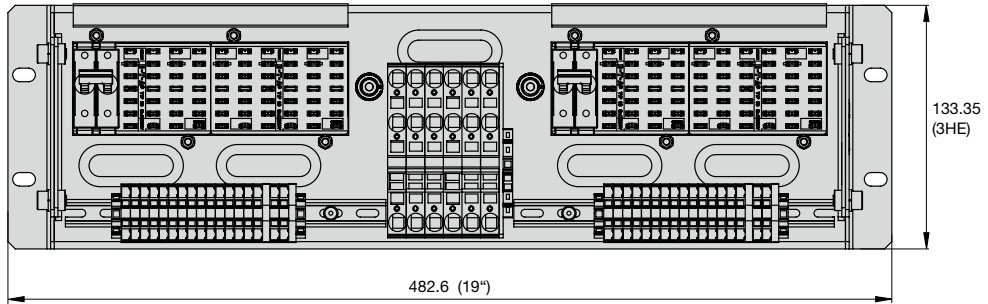
Power-Distribution-Modul AC schematic diagram (2210, redundant)



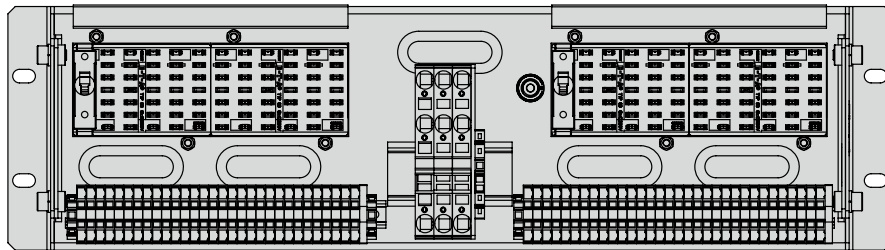
Note: Depending on the version, the schematic diagram may vary in detail. This diagram shows the general options. You can find further information for version-specific installation instructions at the end of the document.

**Dimensions**

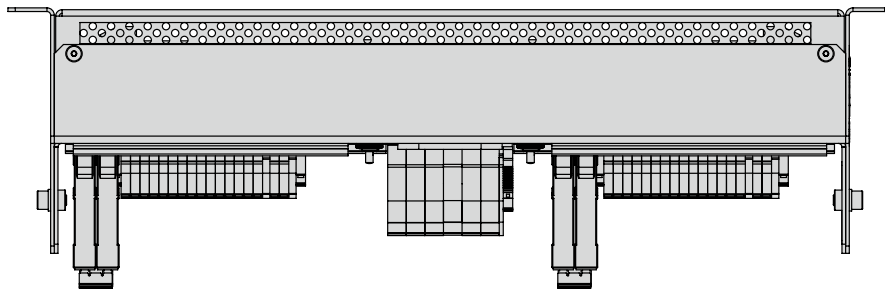
**Front view/example: 2210, 2 pole, redundant**



**Front view / example: 2210, 1 pole, not redundant**



**Top view (open cover)/example: 2210, 2 pole, redundant**



**Side view/version: PDM-AC-2210-2P-24R-B2-K**

Example, redundant, 2pole protected, with optional cable management (... -K)

Figure for mounting plate installation  
(snap-on fixture at the back)

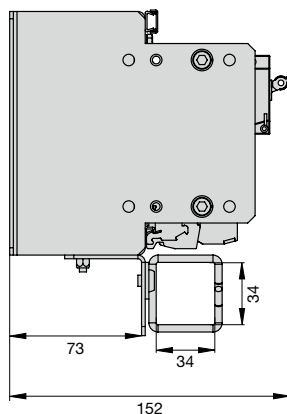
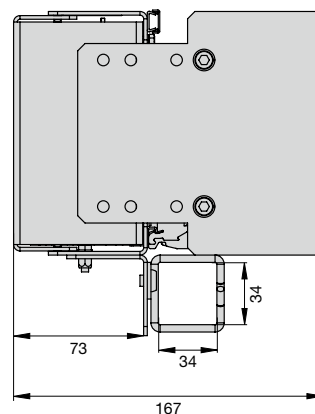


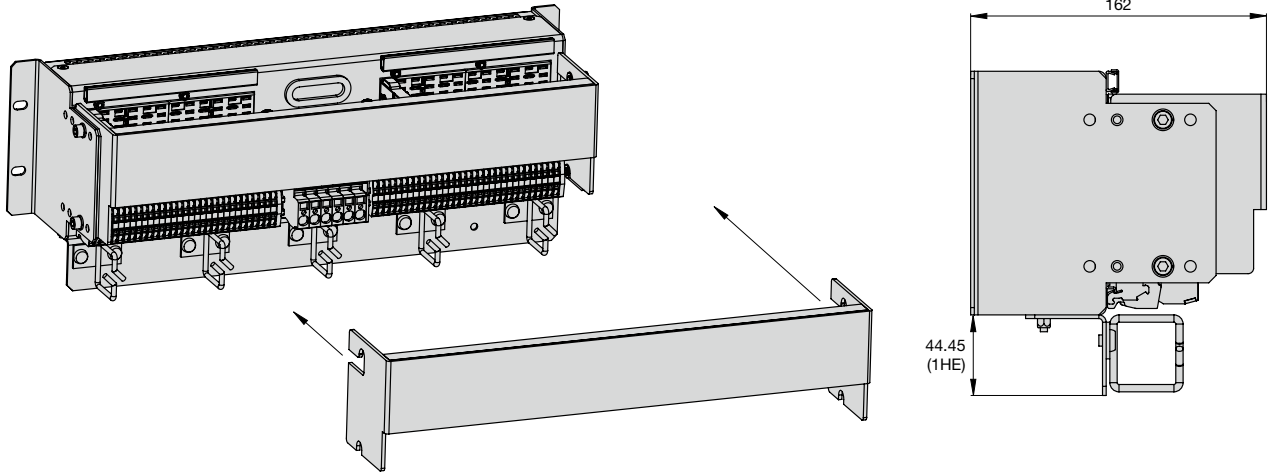
Figure for 19" rack installation  
(snap-on fixtures at the front)



**Accessories**

**Acrylic glass and Signal loop**

PDM-AC-2210-24E-B2-K with acrylic glass cover (Ordering no. Y31283501)  
for retrofit mounting as actuation protection

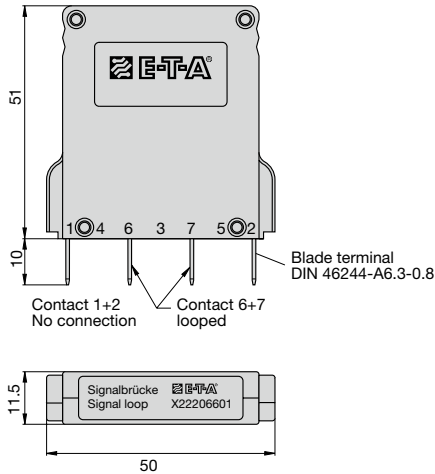


2210 circuit breakers

**Signal loop**

Plug-in module for circuit breakers  
to bridge the looped auxiliary contacts  
(series connection)

**Part no. X 222 066 01**  
for 2210 and 3600



**Installation instruction**

**For more details:**

Follow the QR code for the current installation instruction of your „Power Distribution Module“. You will find detailed information using the selected ordering number code.

**Installation instruction:**

**AC Power Distribution Module for  
2210 mechanical circuit breakers**



All information and data given on our products are accurate and reliable to the best of our knowledge, but E-T-A does not accept any responsibility for the use in applications which are not in accordance with the present specification. E-T-A reserves the right to change specifications at any time in the interest of improved design, performance and cost effectiveness. Dimensions are subject to change without notice. Please enquire for the latest dimensional drawing with tolerances if required. All dimensions, data, pictures and descriptions are for information only and are not binding. Amendments, errors and omissions excepted. Ordering codes of the products may differ from their marking.